

# ***SERVICE BULLETIN***

**DEC. 1967**

**VOL. 88**

**INTRODUCTION  
OF  
DATSUN PICK-UP 1000  
(MODEL B20 SERIES)**



**NISSAN MOTOR CO., LTD.**  
**T O K Y O , J A P A N**

## FOREWORD

Datsun 1000 series (Sedan B10 and Van VB10) have been popular for their smarty body design and powerfull performance since we introduced them on the market.

Now, we introduce New Datsun Pick-up 1000 for commercial use.

New Datsun Pick-up 1000 is designed on the same idea as Datsun 1000 Van and adopts the unit construction system of Front cabin and Rear cargo body.

This bulletin was written for the purpose of introducing New Datsun Pick-up 1000.



### NEW MODEL CHASSIS NUMBER

Chassis number

B20-014367 for B20TU  
LB20-000001 for LB20T

# CONTENTS

	Page
GENERAL DESCRIPTION OF NEW DATSUN PICK-UP 1000 .....	1
Engine .....	1
Chassis .....	2
Body .....	4
Optional equipments .....	5
GENERAL SPECIFICATIONS .....	6
RUNNING PERFORMANCE CURVES .....	12
GENERAL VIEW OF VEHICLES .....	13
INTRODUCTION OF B20 PICK-UP .....	14
I. Engine .....	14
I-1. Air cleaner .....	14
I-2. Fuel tank .....	14
I-3. Exhaust tube and muffler .....	15
II. Chassis .....	16
II-1. Transmission .....	16
II-2. Differential gear .....	16
II-3. Rear axle .....	16
II-4. Rear spring .....	17
II-5. Rear shock absorber .....	18
II-6. Rear spring bush .....	19
II-7. Front shock absorber .....	19
II-8. Hand brake .....	20
II-9. Road wheel and tire .....	21
III. Body .....	21
III-1. Body construction .....	21
a) Front end .....	22
b) Doors .....	23
c) Seat .....	23
d) Reinforcement for safety belt anchorage .....	24
e) Tail end and rear cargo body .....	24
III-2. Instruments and controls .....	24

	Page
III-3. Electrical parts .....	25
a) Head lamp .....	25
b) Rear combination lamp .....	25
c) License lamp .....	27
d) Interior lamp .....	27
III-4. Trimming .....	28
III-5. Optional equipments .....	30
III-6. Tool and spare tire .....	34

## GENERAL DESCRIPTION OF NEW DATSUN PICK-UP 1000

Datsun pick-up 1000 (Model B20 series) is a commercial use vehicle of loading capacity 2 + 500 kg (1,102 lb.) which was designed, making Datsun 1000 Van VB10 series as a base. The followings are the general description of B20 series.

### ENGINE

Type A10 engine is a water cooled, four cycle and four cylinder engine of a overhead valve type and gives the high power, increased torque, smoother running and keener, more flexible all-round performance.

#### a) Major performance

Bore × Stroke	.....	73 × 59 mm (2.87 × 2.32 in.)
Displacement	.....	988 cc (60.3 cu. in.)
Max. B. H. P. (SAE)	.....	62 HP/6,000 rpm
Max. torque (SAE)	.....	8.5 kg-m (61.5 ft-lb)/4,000 rpm

b) The half skirt type cylinder block made of special cast iron has sufficient rigidity despite its compact and light construction.

c) To increase the reliability during the high speed running,

- o Five bearing camshaft is used.
- o Making the camshaft position higher, the short push rods are used.
- o Rocker shaft is supported at five points.

d) To get higher performance,

- o A10 engine is a over-square type, short stroke engine with large diameter valves.
- o The intake manifold is specially designed to have enough efficiency when taking in air-fuel mixture and to get well distribution of the mixture.

e) The oil filter is of full-flow cartridge type.

f) The air cleaner element is of the viscous paper type.

g) The 250 W alternator is adopted.

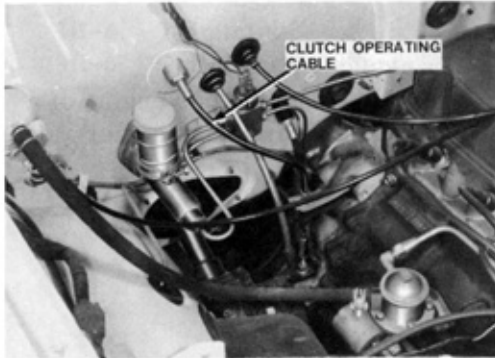
h) The radiator is the corrugated fin and tube type and the closed pressure system is adopted (0.9 kg/cm<sup>2</sup>).

i) The battery is of a light weight, compact type (N40L) and its capacity is 40 AH.

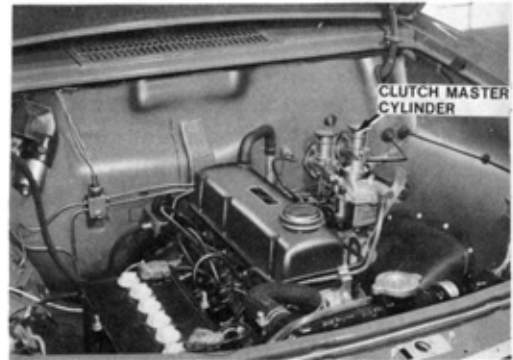
j) The fuel tank of 30 lit. capacity is located at the right side of the rear body under the cargo floor.

CHASSIS

- a) The clutch mechanism is hydraulically operated (L. H. drive) or mechanically operated (R. H. drive), and consists of a pressure plate, a disc plate, diaphragm spring and cover assembly.



R.H. Drive

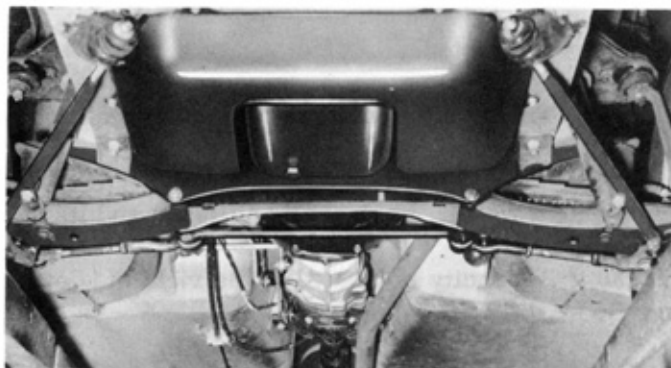


L.H. Drive

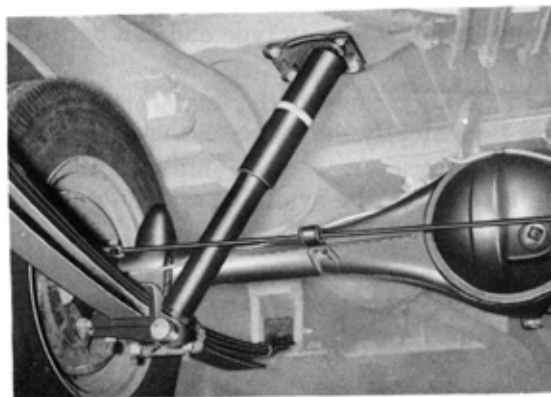
- b) The four forward speed transmission of the Borg-Warner type synchromesh mechanism is adopted. Shifting lever is located on the floor and the gear shifting can be done directly.

Gear ratio	1st	3.76
	2nd	2.17
	3rd	1.40
	4th	1.00
	Rev.	3.64

- c) The propeller shaft has a precise balance of moment and its outer diameter is 63.5 mm (2.500 in.). The joint is a non grease supply type. Check the joint every 40,000 km (24,000 mile).
- d) The front suspension is the double wishbone independent type with trapezoidal dual control arms of different length, slanted shock absorbers, transverse leaf springs and torsion rods.

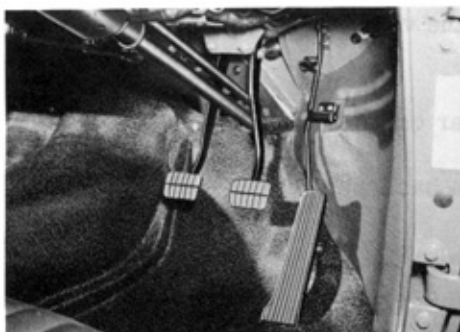


- e) The rear suspension is a parallel semi-elliptic leaf spring type.
- f) The final drive gear is of a hypoid gear type and its gear ratio is 4.375 : 1. Gear ratio of 4.625 can be available as a optional equipment.
- g) The steering mechanism is of the recirculating ball type.
- h) The steering linkage adopts the parallelogram system and positions at the rear side of the front axle.
- i) The rear axle is of the semi-floating type and its axle case is of the pipe banjo type.



- j) Drum type brake system is applied on all wheels (Two leading for front wheels and Leading-trailing for rear wheels), and the brakes are operated hydraulically.
- k) The hand brake is of mechanical two rear wheel braking type and is equipped with a stick-shaped handle for R. H. drive and a floor lever type for L. H. drive.
- l) Accelerator, Brake and Clutch pedals are of the pendent type. Only the accelerator pedal for R. H. drive truck adopts a slipper type.

- o Accel . . . . . Cable control system for all models
- o Brake . . . . . Hydraulic system for all models
- o Clutch . . . . . Cable control system for R. H. drive  
Hydraulic system for L. H. drive



R.H. DRIVE



L.H. DRIVE

## DATSUN 1000

---

### m) Tires

Front	5.00-12-4 PR
Rear	5.00-12-6 PR

### BODY

- a) Body construction is the unit construction of light weight yet strong. The rear cargo body is welded into one body with the cab body.
- b) Door locks are of the safety type with the pinion casing and provided on both side doors.
- c) Tail gate is of a conventional down-open type and can be locked by the hooks on both sides.
- d) The design of the seat is basically the same as that of VB10S (Datsun 1000 van, Standard Type).  
That is, the separate type seats are available and both driver and assistant seats are adjustable within 140 mm (5.51 in.).



- e) Jack is of a pantograph type. Jack up the vehicle front at the body sill and the rear at the spring mounting.
- f) The spare tire is installed under the rear cargo body.
- g) Four guard bars are provided behind the back window.



h) Available body and trimming color

Body color code No.	Body color	Trimming color
637	White	Red
642	Light blue	
701	Red	
702	Light gray	
714	Yellow green	

OPTIONAL EQUIPMENTS

Radio, Heater, Clock, Fog lamps, Back-up lamp, Double tone horn, Two speed wiper, Cigarette lighter, Windshield washer, Additional sunvisor, Fuel filler cap lock, Safety belts, Outside rear view mirror, etc.

**GENERAL SPECIFICATIONS**

Item		Model	B20	
Overall length			3,815 mm	(150.2 in.)
Overall width			1,450 mm	( 57.1 in.)
Overall height			1,385 mm	( 54.5 in.)
Wheel base			2,280 mm	( 89.8 in.)
Rear body (Inside)	Length		1,535 mm	( 60.4 in.)
	Width		1,230 mm	( 48.4 in.)
	Height		380 mm	( 15.0 in.)
Tread	Front		1,190 mm	( 46.9 in.)
	Rear		1,180 mm	( 46.5 in.)
Min. road clearance			170 mm	( 6.7 in.)
Floor height			595 mm	( 2.3 in.)
Overhang to the front end without bumper			580 mm	( 2.3 in.)
Overhang to the rear end without bumper			885 mm	( 3.5 in.)
Max. inclination angle	Right		48°	
	Left		48°	
Cargo space, off-set			45 mm	( 1.77 in.)
Vehicle weight			615 kg	(1,356 lb.)
Distribution	Front		360 kg	( 794 lb.)
	Rear		255 kg	( 562 lb.)
Max. payload			500 kg	(1,102 lb.)
Seating capacity			2 persons	
Max. speed			130 km/h	(97 MPH)
Grade ability (Sin $\theta$ )			0.324	
Min. turning radius			4.0 m	(13.1 ft.)
Engine	Model		A10	
	Manufacturer		NISSAN MOTOR CO., LTD.	
	Classification		Gasoline	

**GENERAL SPECIFICATIONS**

Model		B20	
Item			
<b>Engine</b>	Cooling system		Water cooled
	No. of cylinder & arrangement		4 in line
	Cycle		4
	Combustion chamber		Wedge
	Valve arrangement		O. H. V.
	Bore × stroke	mm	73 × 59 (2.87 × 2.32 in.)
	Displacement	lit.	0.988 (60.3 cu. in.)
	Compression ratio		8.5
	Max. B. H. P. (SAE) HP/r. p. m.		62/6,000
	Max. torque (SAE) m-kg/r. p. m.		8.5/4,000 (61.5 ft-lb/4,000 r. p. m.)
	Length × width × height	mm	547 × 553 × 590
	Weight	kg	91.5
	Position		Front
	Type of piston		T slot
	Material of piston		LO-EX
	No. of piston ring	Pressure	2
		Oil	1
	Valve timing	Intake open	12° B. T. D. C.
		Intake close	48° A. B. D. C.
		Exhaust open	50° B. T. D. C.
Exhaust close		10° A. T. D. C.	
Valve clearance	Intake mm	0.35	
	Exhaust mm	0.35	
Starting method		Starter motor	
<b>Ignition System</b>	Firing method		Battery coil type
	Ignition timing B. T. D. C. /r. p. m.		8° /600
	Ignition order		1-3-4-2
	Ignition coil	Type	C14-51
		Manufacturer	HITACHI
	Distributor	Type	D412-53
		Manufacturer	HITACHI

**DATSUN 1000**

Item		Model	B20		
Fuel System	Spark plug	Type	L45		
		Manufacturer	HITACHI		
		Thread mm	14 (0.552 in.)		
		Cap mm	0.7 ~ 0.8 (0.027 ~ 0.031 in.)		
	Carburetor	Type	DCG286-3A		
		Manufacturer	HITACHI		
		Throttle valve bore mm	26	28	
		Venturi size mm	20-7	20-13-7	
		Main jet mm	0.98	1.40	
		Slow jet mm	0.40	—	
		Power jet mm	0.60		
	Air draught	Down			
	Air cleaner	Type	Paper element		
		Manufacturer	TSUCHIYA		
	Fuel pump	Type	Diaphragm		
		Manufacturer	KYOSAN DENKI		
Fuel tank capacity lit.		30 (7.9 US. gal.)			
Lubricating system	Lubrication method	Forced full flow			
	Oil pump type	Trochoid type			
	Oil filter	Paper filter			
	Oil pan capacity lit.	2.5 (0.66 US. gal.)			
Cooling system	Type	Pressure feed water cooled			
	Radiator	Corrugated fin & tube type			
	Capacity of cooling water, lit.	3.8 (1.0 US. gal.)			
	Type of water pump	Centrifugal type			
	Thermostat	Pellet type			
Battery	Type	N40L			
	Voltage V	12			
	Capacity A. H.	40			

GENERAL SPECIFICATIONS

Item		Model	B20		
Generator	Type		LT125-02		
	Manufacturer		HITACHI		
	Generating method		Alternator		
	Voltage V		12		
	Capacity W		250		
	Voltage regulator		TL1Z-10A		
Starter	Type		S114-87		
	Manufacturer		HITACHI		
	Voltage & power V-HP		12V-1.0		
Transmission Device	Clutch	Type	Single dry disc		
		Number of place	1 (Facing 2)		
		Out. dia. × In. dia. × thickness mm	160 × 110 × 3.2 (6.30 × 4.33 × 0.126 in.)		
		Total friction area cm <sup>2</sup>	212 (32.86 in <sup>2</sup> )		
	Transmission	Type	4 Forward 1 reverse all synchromesh on forward gears		
		Operating method	Floor shift		
		Gear ratio	1st	3.76	
			2nd	2.17	
			3rd	1.40	
			4th	1.00	
Reverse	3.64				
Propeller shaft	Length × out. dia. × in. dia. mm	1.178 × 63.5 × 60.3 (46.38 × 2.50 × 2.37 in.)			
Type of universal joint		Spicer			
Final gear	Type of gear	Hypoid			
	Gear ratio	4.375 (Op. 4.625)			
Differential gear	Housing type Type & number of gear	Banjo type Straight bevel gear 2 Pinion mate 2			
Steering	Type of gear	Recirculating ball type			
	Gear ratio	15 : 1			
	Steering angle	Inner	45°		
		Outer	36° 36'		

## DATSUN 1000

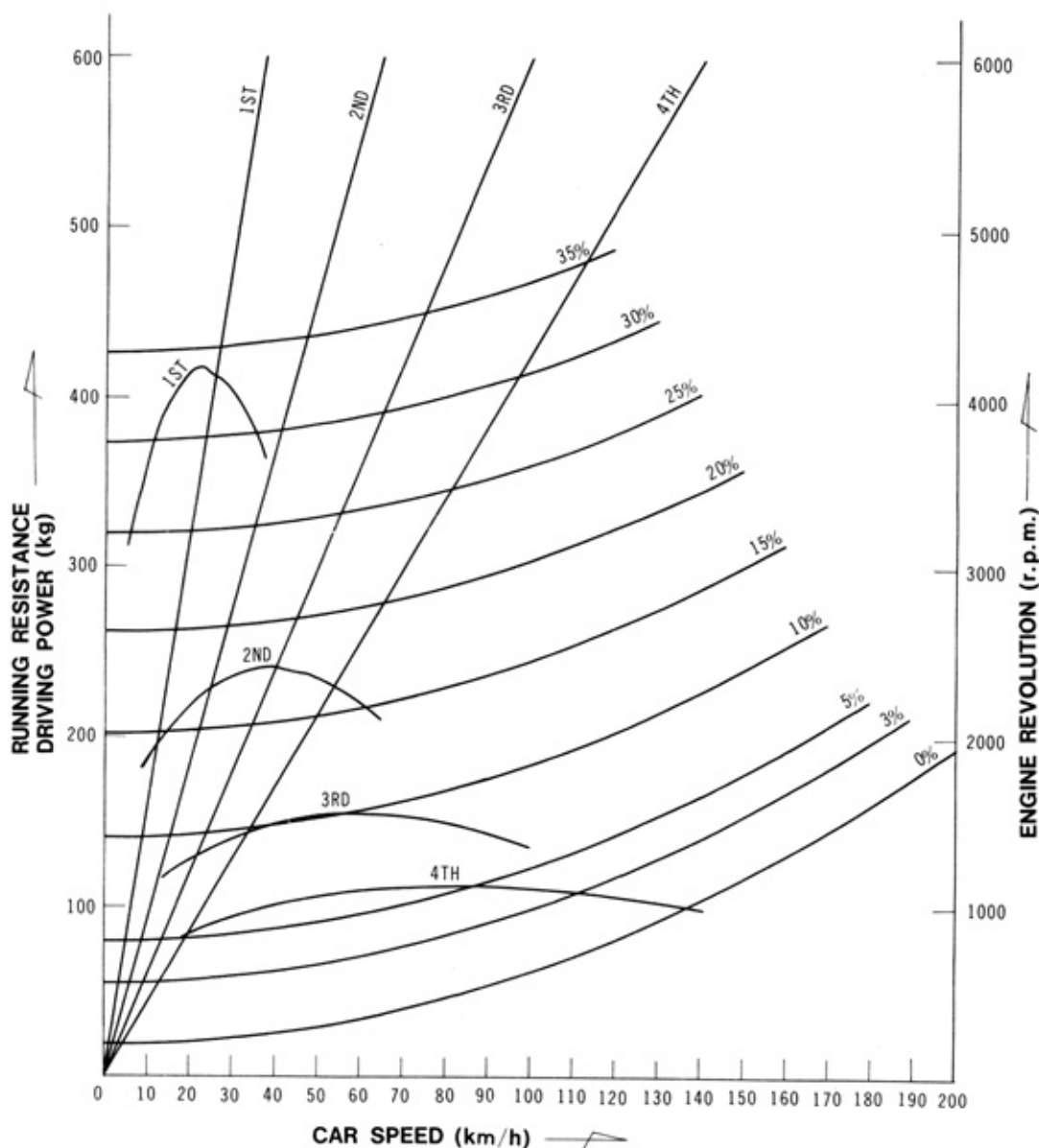
Item		Model	B20		
Running Device	Steering wheel diameter		mm	400 (15.75 in.)	
	Wheel arrangement	Front		2 wheels	
		Rear		2 wheels	
	Front axle		Wishbone ball joint type		
	Toe-in (unladen)		2 ~ 3 mm (0.078 ~ 0.118 in.)		
	Camber (unladen)		1° 30'		
	Caster (unladen)		2° 30'		
	Inclination angle of king pin		6° 30'		
Type of rear axle		Semi-floating type			
Brake System	Master Brake	Type		Front: 2 leading Rear : leading and trailing	
		Lining dimension (front)		mm	35×4.8×195 (1.38×0.19×7.68 in.)
		Lining dimension (rear)		mm	35×4.8×195 (1.38×0.19×7.68 in.)
		Total braking area (front)		cm <sup>2</sup>	273 (42.3 in <sup>2</sup> .)
		Total braking area (rear)		cm <sup>2</sup>	273 (42.3 in <sup>2</sup> .)
	Inner dia. of drum (front & rear)		mm	203.2 (8.00 in.)	
	Oil Brake	Inner dia. of master cylinder		mm	17.46 (0.687 in.)
		Inner dia. of wheel cylinder front		mm	20.64 (0.813 in.)
		Inner dia. of wheel cylinder rear		mm	20.64 (0.813 in.)
		Max. oil pressure		kg/cm <sup>2</sup>	175 (2,483 lb/in <sup>2</sup> .)
Brake	Parking Brake	Type		Mechanical for rear wheels	
		Lining dimension		mm	35×4.8×195 (1.38×0.19×7.68 in.)
		Total braking area		cm <sup>2</sup>	273 (42.3 in <sup>2</sup> .)
		Inner dia. of drum		mm	203.2 (8.00 in.)
Suspension	Front		Transverse leaf spring		
	Spring size		mm	976 × 50 × 4.6	
	Outer diameter × length				
Rear		Semi-elliptic leaf spring			

**GENERAL SPECIFICATIONS**

Item		Model	B20
Suspension	Spring size Length × width × thickness-No. mm		6-2 1,150 × 50 × 7-1 13-1
	Shock absorber	(front)	Telescopic type double action
	Shock absorber	(rear)	Telescopic type double action

### DATSUN PICK-UP 1000(L)B20T RUNNING PERFORMANCE CURVES

Final gear ratio	4.375 (35/8)
1st speed ratio	3.757
2nd speed ratio	2.169
3rd speed ratio	1.404
4th speed ratio	1.000
Gross vehicle weight	1,225 kg
Max. grade ability	tan = 0.343 (sin = 0.324)
Tire effective radius	0.272 m
Max. torque (SAE)	8.5 m·kg/4,000 rpm
Max. B.H.P. (SAE)	62 HP/6,000 rpm

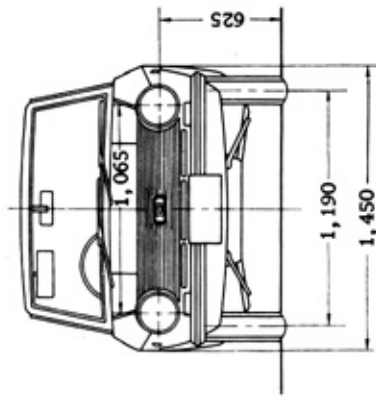
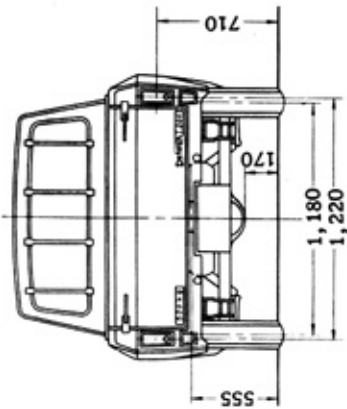
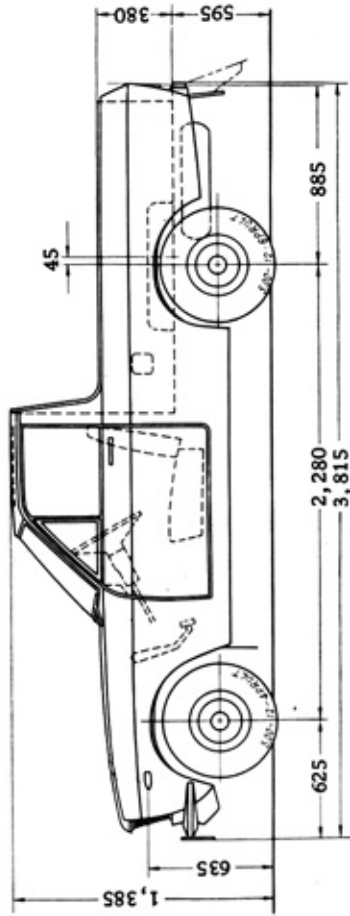
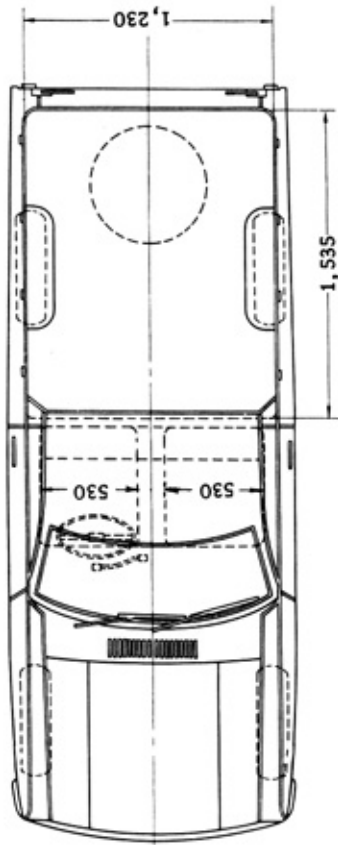




GENERAL VIEW OF VEHICLE

GENERAL VIEW OF B20 PICK-UP

unit : mm



## INTRODUCTION OF B20 PICK-UP

Datsun Pick-up 1000 (B20 series) has been designed as a commercial use vehicle, making Datsun 1000 Van (VB10 series) as a base. The following information is related only to the differences from VB10 series.

### I. ENGINE

The engine equipped in B20 series is A10 type engine, the same engine as that of VB10 series. The performance and specifications are quite the same.

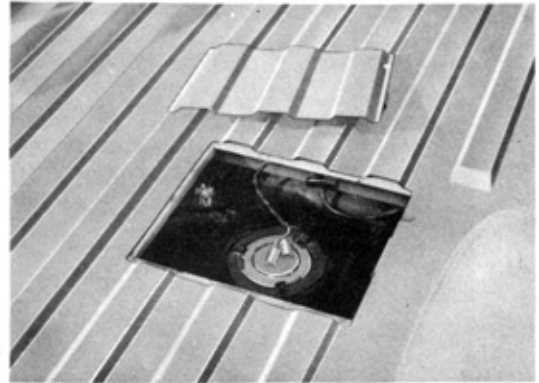
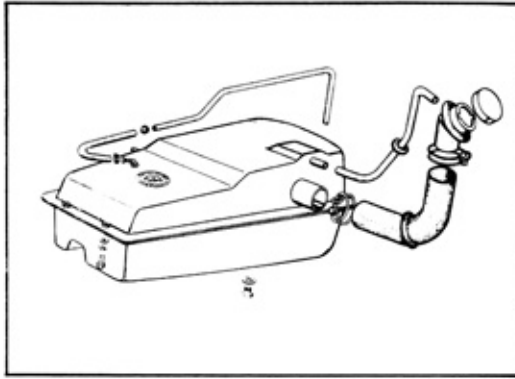
#### I-1. Air cleaner

To prevent the resonance of the air horn vibration with the cab body, the length of the air horn is lengthened by 110 mm (4.33 in.). As the result, Datsun Pick-up could gain the quietness like as a passenger car.



#### I-2. Fuel tank

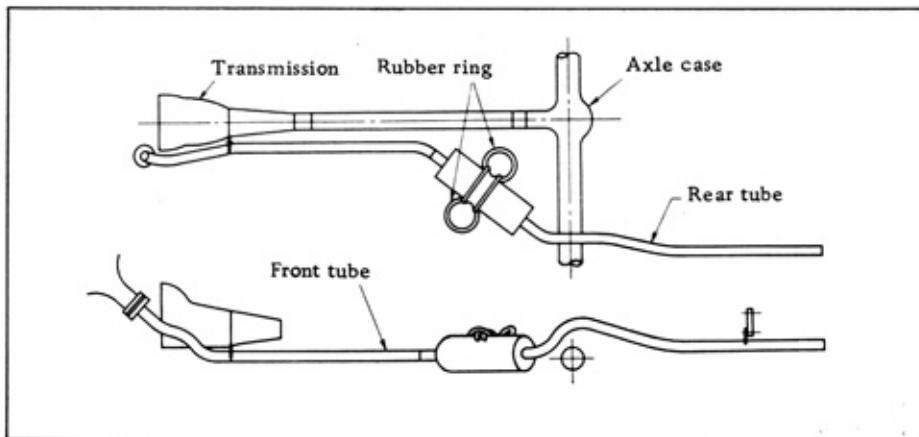
The fuel tank is installed at the right side front under the rear cargo body floor. The fuel tank is the exclusive part for B20 series and the capacity is 30 lit. (7.9 U.S. gal.). The fuel filler cap is provided on the right side of the cargo body and the optional cap lock is available. The unit gauge mounting is of a bayonet type as in VB10 series and so the unit gauge can be easily removed and installed.



### 1-3. Exhaust tube and muffler

One exhaust muffler well designed so as to reduce the exhaust resistance is provided at the optimum position and the rear tube of a large inner diameter is adopted. As a result, the power loss in the exhaust system has been reduced so much.

The exhaust muffler is hung from the cargo floor through the rubber rings. Therefore the removal and installation of the muffler can be done easily and at the same time, the exhaust system has a high durability.



The front and rear tube of B20 series are different from those of VB10 series, so the tubes have no interchangeability with each other.

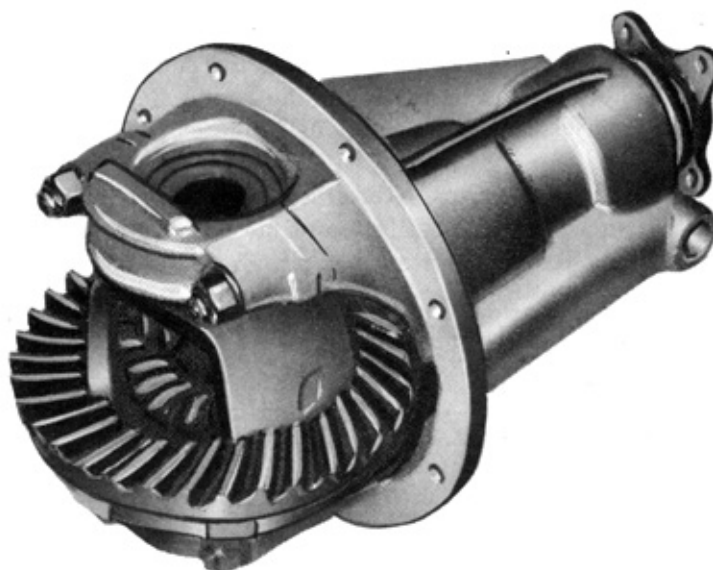
## II. CHASSIS

### II-1. Transmission

Four-forward speed transmission is equipped on both R. H. and L. H. drive models. This transmission is the same transmission as used in B10 series and the shift lever is provided on the cab floor.

### II-2. Differential gear

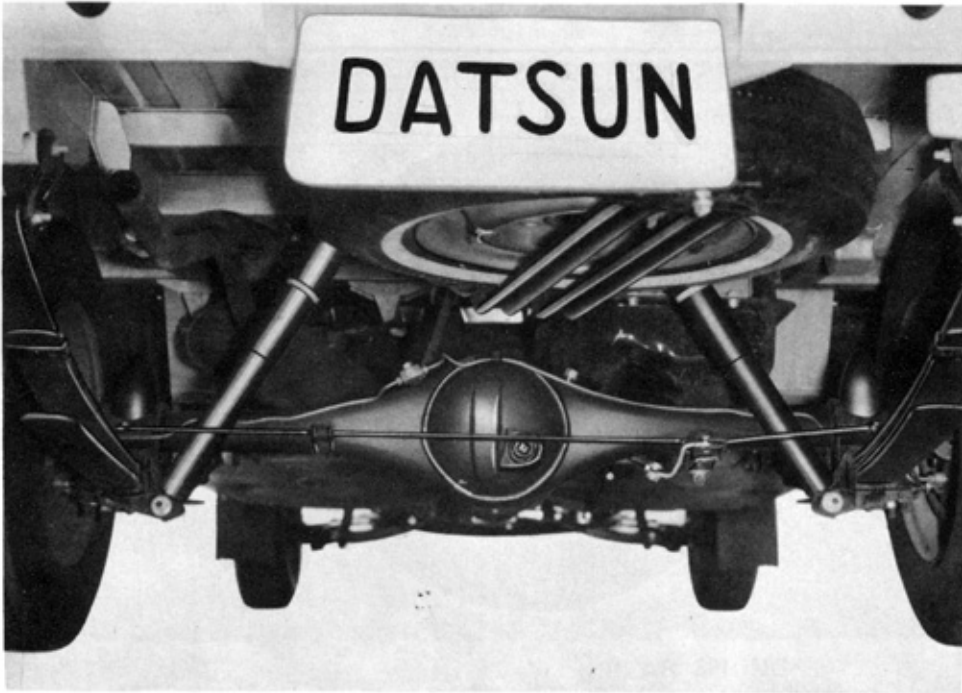
The differential gear unit is the same design as that of VB10 series and the final gear ratio is 4.375 : 1 (35/8). As an optional equipment, the differential gear unit of the gear ratio 4.625 (37/8) is available.



### II-3. Rear axle

The rear axle is of the semi-floating type and its axle case is of the pipe banjo type as in VB10 series. The housing, made of press moulded steel plate, has had its upper and under parts welded together and on both sides of the housing the steel pipes are welded.

As the position of the three-way connector on B20 rear axle is different from that of VB10 series, the both rear axle have no interchangeability with each other.

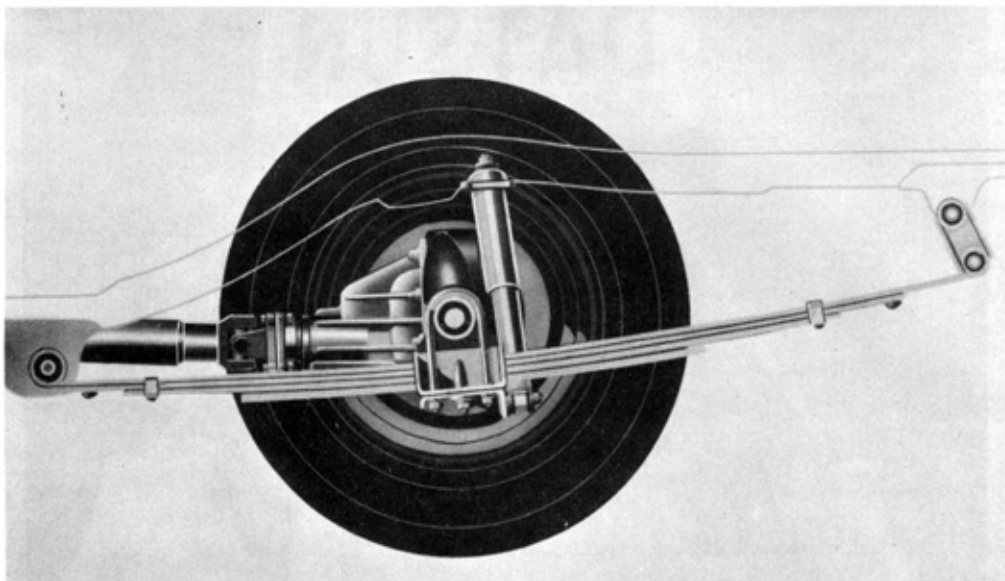


#### II-4. Rear spring

An offset spring with an offset amount of 120 mm (the same offset amount as that of VB10 series) is used which works to prevent the change of car attitude in quick starting and quick braking. Each link has been processed by shot peening on its tension side to improve its fatigue strength. Furthermore the cotton spacers are used between spring leaves to prevent creaking noises and to absorb the spring vibration by increasing the friction between leaves.

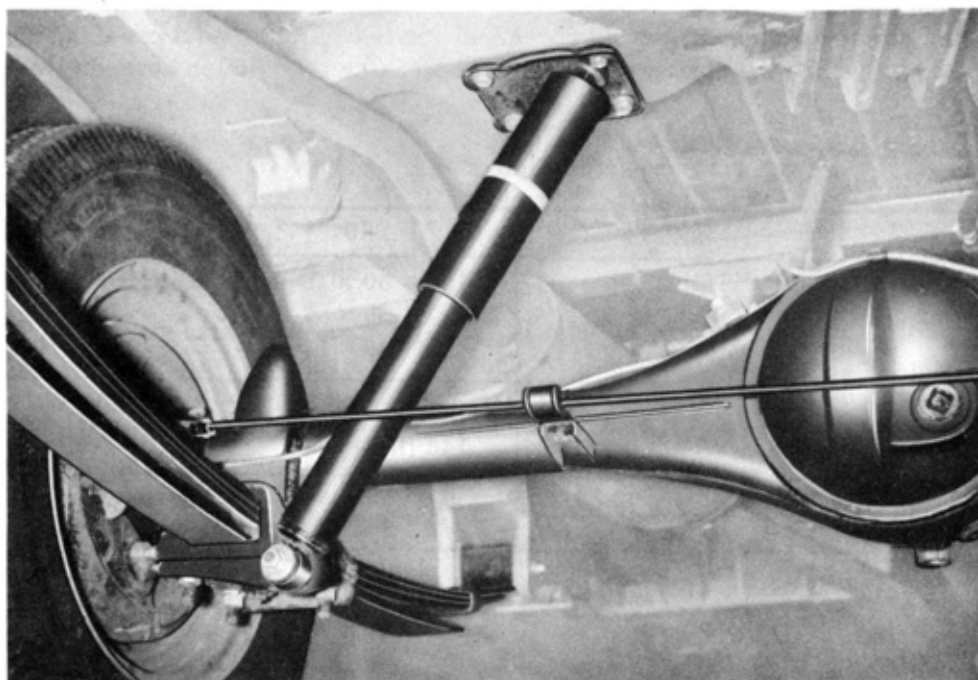
Specification of rear spring

	B20	VB10 (reference)
Length × Width × Thickness - Leaf number (mm)	1,150 × 50 × 6-2 50 × 7-1 50 × 13-1	1,150 × 50 × 7-2 50 × 5-1 50 × 11-1
Free camber (mm)	156 (right) 146 (left)	161.5
Spring constant (kg/mm)	4.5	3.95



#### II-5. Rear shock absorber

The rear shock absorber is the double acting telescopic type like as that of VB10 series. However, the shock absorber of B20 series has a bigger damping force on expansion side than that for VB10 series.



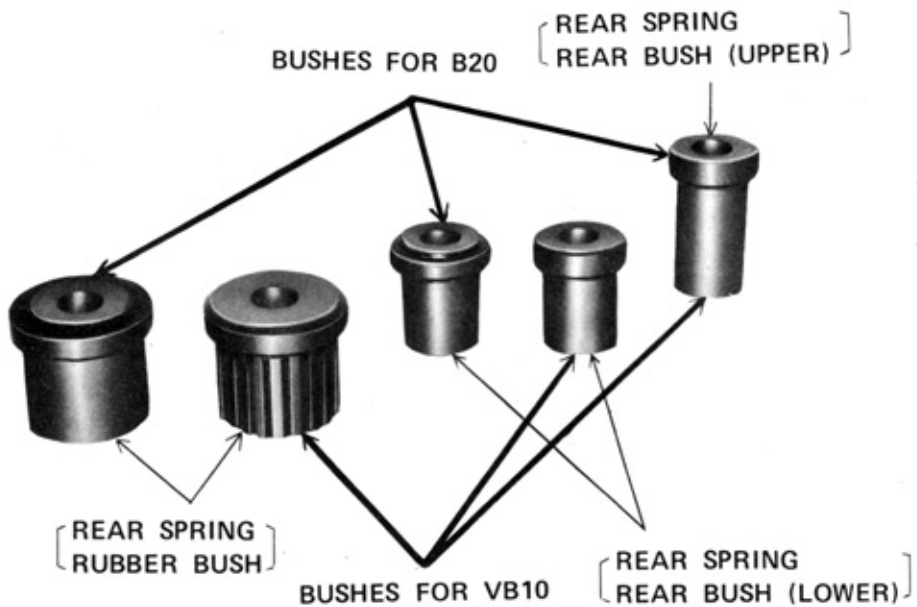
The specifications are as follows.

		B20	VB10
Stroke		175 mm	170 mm
Damping force (0.3 m/sec)	Expansion	105 kg	90 kg
	Compression	39 kg	45 kg

**II-6. Rear spring bush**

Silent block type rubber bushes are used to prevent creaking noises and to absorb shocks.

The bushes are the exclusive parts for B20 series and are designed so as to have enough durability for using in light truck. Only the rear upper bushes are common with that of VB10 series.



**II-7. Front shock absorber**

The front shock absorber is the double acting telescopic type.

## DATSUN 1000

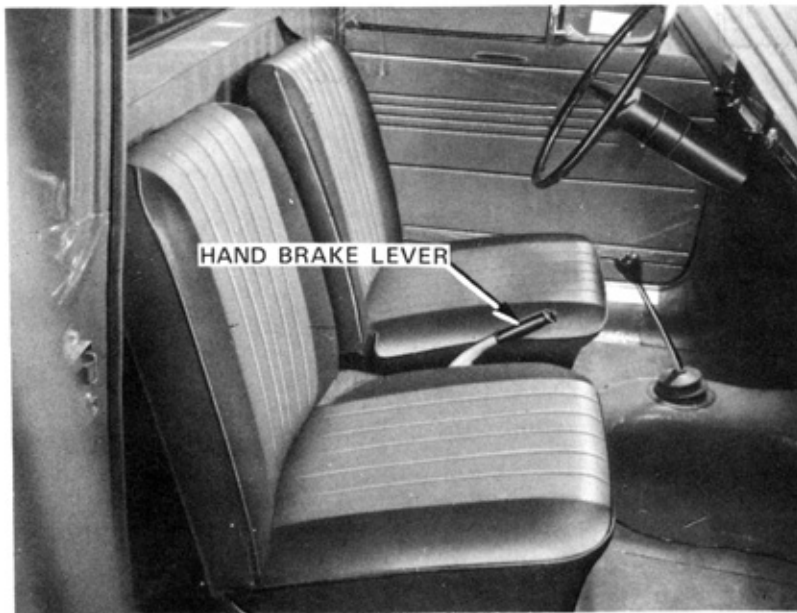
		B20	VB10
Stroke		130 mm	130 mm
Damping force (0.3 m/sec)	Expansion	70 kg	58 kg
	Compression	30 kg	20 kg



### II-8. Hand brake

The hand brake is of mechanical two rear wheel braking type and equipped with a stick-shaped handle for R. H. Drive and a floor lever type for L. H. Drive. For every bearing portion nylon made or oleo sintered alloy bush is used, making oiling unnecessary except in overhaul and assembly.

The length of front and rear cable and the shape of swing arm are different from those of VB10 series.





### II-9. Road wheel and tire

Like as VB10 series, the disc type road wheels of a high rigidity are used in B20 series.

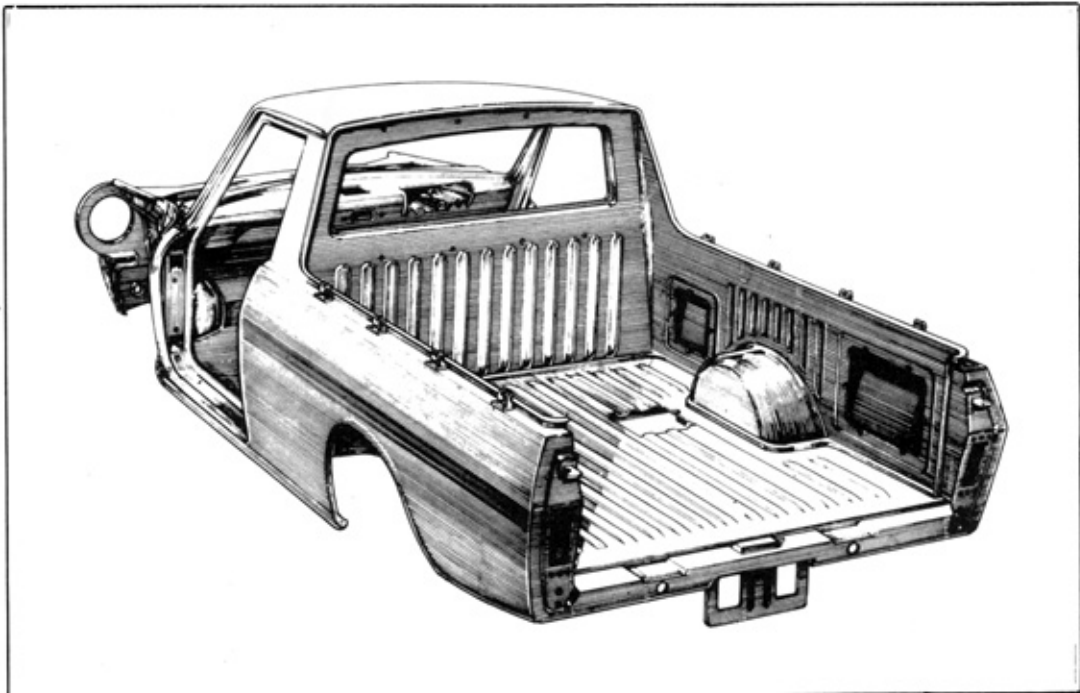
Tire size	Front	5.00-12-4PR
	Rear	5.00-12-6PR
Rim size	3 <sup>1</sup> / <sub>2</sub> J × 12	
Tire pressure	Front	1.2 kg/cm <sup>2</sup>
	Rear	1.4 kg/cm <sup>2</sup> (Load ... less than 150 kg) 3.0 kg/cm <sup>2</sup> (Load ... more than 150 kg)

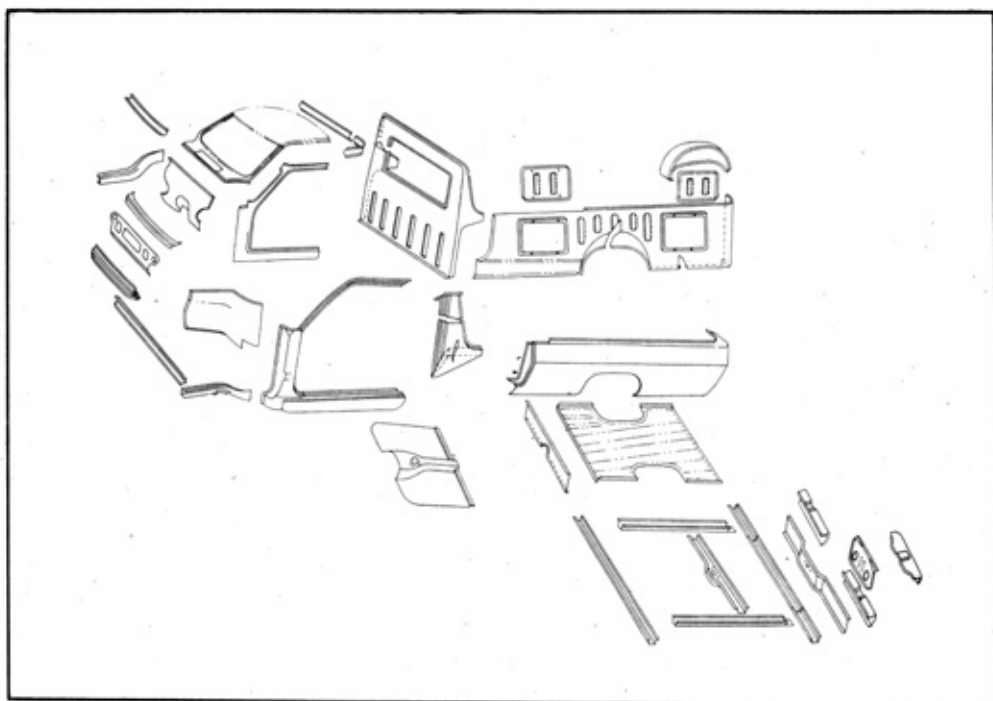
## III. BODY

### III-1. Body construction

The body construction of B20 Pick-up, making VB10 Datsun 1000 Van as a base, is of the unit construction type and the cab and rear body are combined into one unit.

Some of the cab body parts are made in common with those of VB10 series (Front pillar and Windshield are made in common. Front floor is modified partly, and so on.). Other parts, i.e. Roof, Body side, Back panel, Door and Rear body, are designed as the exclusive parts for B20 Pick-up.





a) Front end

The front radiator grille, giving a wide appearance, expresses the smartness and powerfullness as the light use commercial truck.

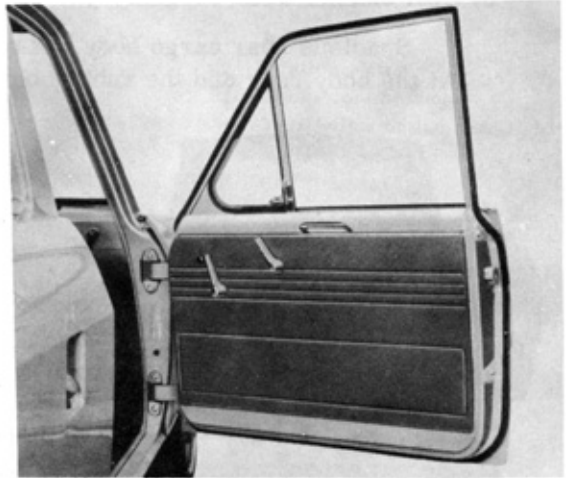
Major front end parts exclusively designed for B20 series and so the relating panel parts are different from those of VB10 series.



b) Doors

Front hinged doors are adopted. As the width of doors for B20 series is shortened by 140 mm (5.51 in.), comparing with that of VB10 series, the following parts are newly designed.

Door lock links, Door window regulator, Door window weather strip, etc.



c) Seat

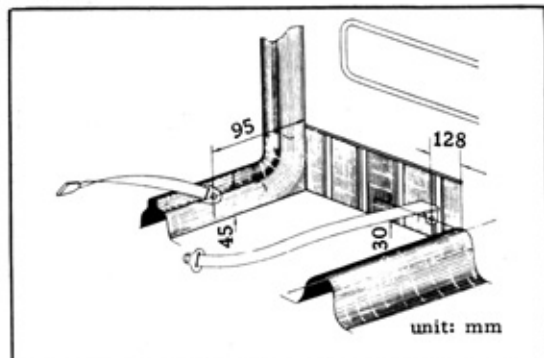
To get a good driving condition, the separate type seats are adopted.

Both driver's side and passenger's side seats are adjustable within 140 mm (5.51 in.). The adjusting pitch is 20 mm (0.787 in.).



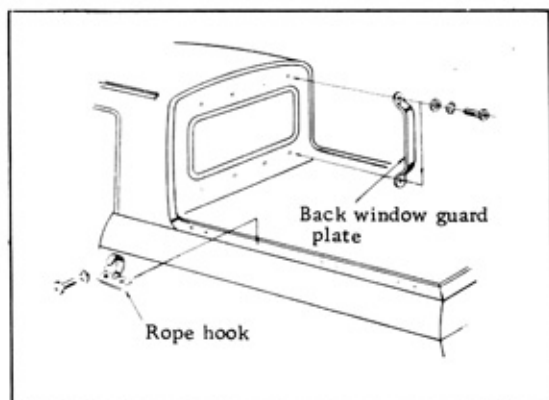
d) Reinforcement for safety belt anchorage

For fixing the lap type seat belt (optional) the reinforcement and the fixing nut are welded to the cab inner panel as shown in the figure.



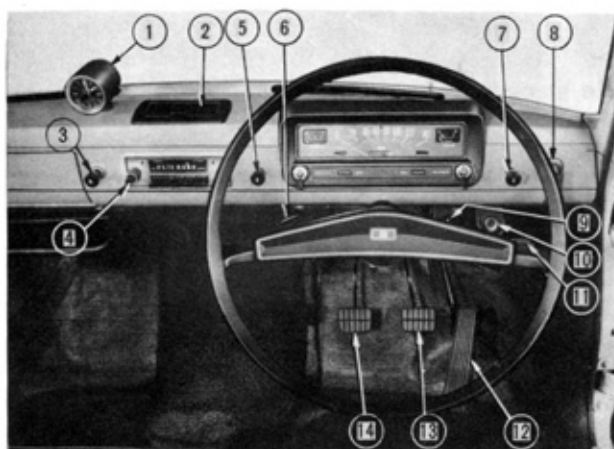
e) Tail end and rear cargo body

Spacious rear cargo body has a capacity of 500 kg (1,102 lb.) load. At the body rear end the rubber bumpers are provided.

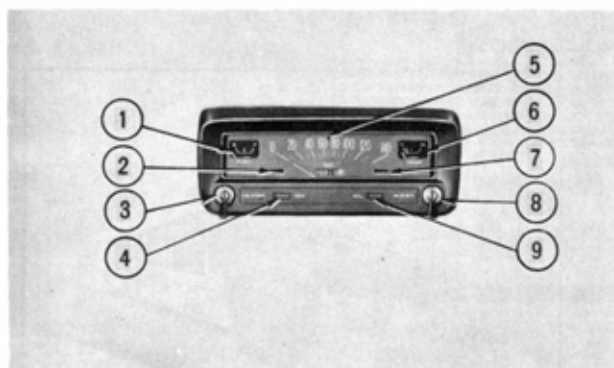


III-2. Instruments and controls

Though the instrument panel is different from VB10 series, the layout of the instrument switches and control levers are almost the same as those of VB10 series.

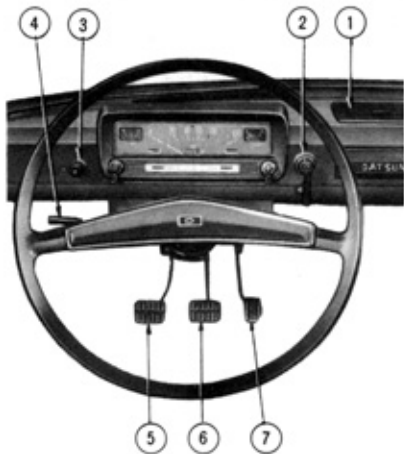


- \* ① Clock
- ② Ash tray
- \* ③ Cigarette lighter
- \* ④ Radio
- ⑤ Choke control knob
- ⑥ Hand brake
- ⑦ Light switch
- ⑧ Ignition switch
- ⑨ Fog lamp switch
- \* ⑩ Washer switch
- ⑪ Turn indicator and head light beam selector lever
- ⑫ Accelerator pedal
- ⑬ Brake pedal
- ⑭ Clutch pedal

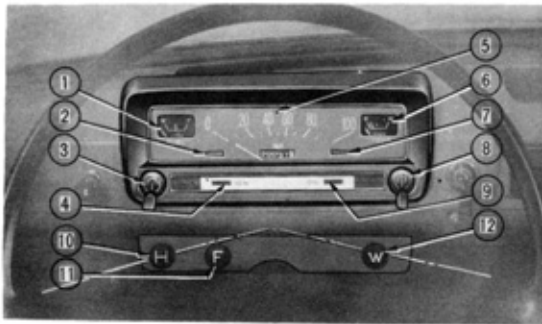


- ① Fuel gauge
- ② Turn indicator light
- \* ③ Heater fan control switch
- ④ Ignition warning light
- ⑤ Headlight beam warning light
- ⑥ Water temperature gauge
- ⑦ Turn indicator light
- ⑧ Wiper switch
- ⑨ Oil pressure warning light

Note: Star marks indicate optional parts.



- ① Ash tray
- ② Ignition switch
- ③ Choke control knob
- ④ Turn indicator and head light beam selector
- ⑤ Clutch pedal
- ⑥ Brake pedal
- ⑦ Accelerator pedal



- ① Fuel gauge
- ② Turn indicator light
- ③ Wiper switch
- ④ Ignition warning light
- ⑤ Head light beam indicator
- ⑥ Water temperature gauge
- ⑦ Turn indicator light
- ⑧ Light switch
- ⑨ Oil pressure warning light
- \* ⑩ Heater fan control switch
- \* ⑪ Fog lamp switch
- \* ⑫ Washer switch

Note: Star marks indicate optional parts.

### III-3. Electrical parts

#### a) Head lamp

The same two head lamp system as in VB10 series is adopted to B20 series. However, in connection with the differences of Radiator grille and Head lamp rims between both models, the mounting method of lamp units are different each other,

Sealed beam..... 12V - 50/40W



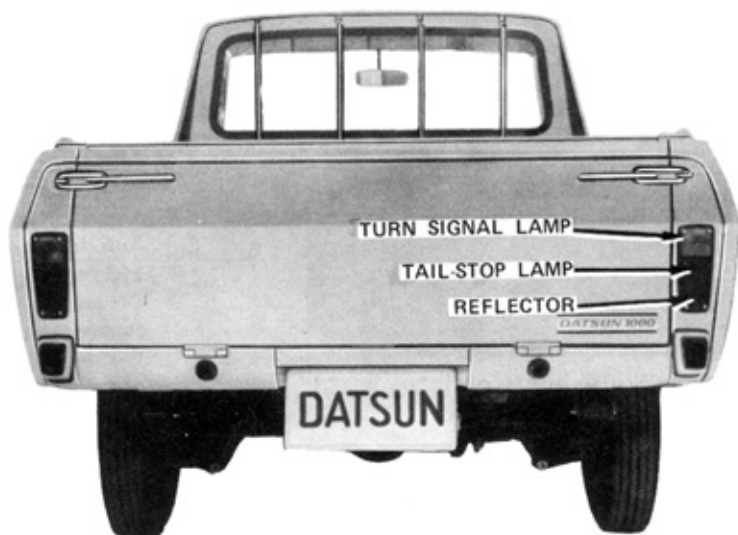
b) Rear combination lamp

Rear combination lamps are newly designed for B20 series. The reflector is combined into the tail-stop lamp lens.

The replacement of bulbs can be done by removing the lens from outside.

The vehicles which are to be exported for the special territory (Australia, Europe, etc.) will be equipped with the independent type large reflectors.

Turn signal lamp . . . . 12V - 25W  
Tail-stop lamp . . . . . 12V - 8/25W

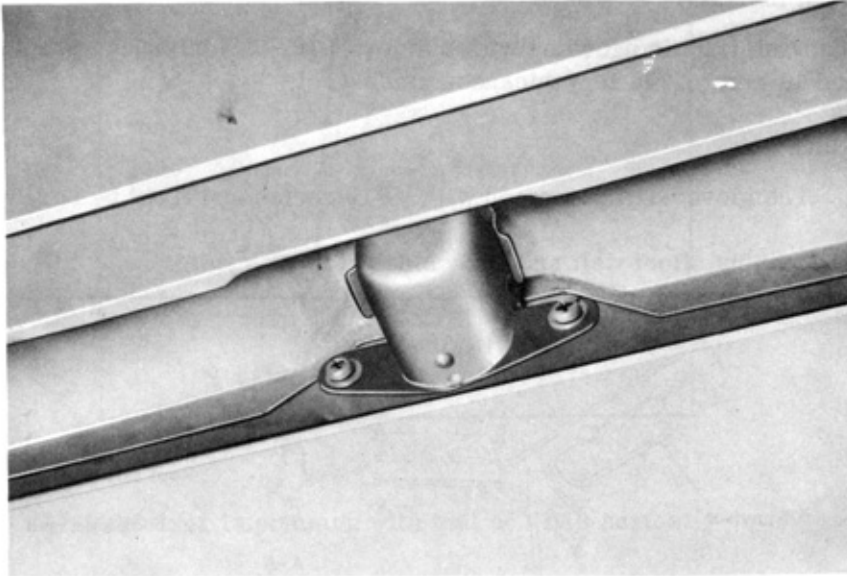


c) License lamp

The license lamp is installed at the rear skirt center of the rear cargo body.

The bulb replacement can be done by pulling out the lens.

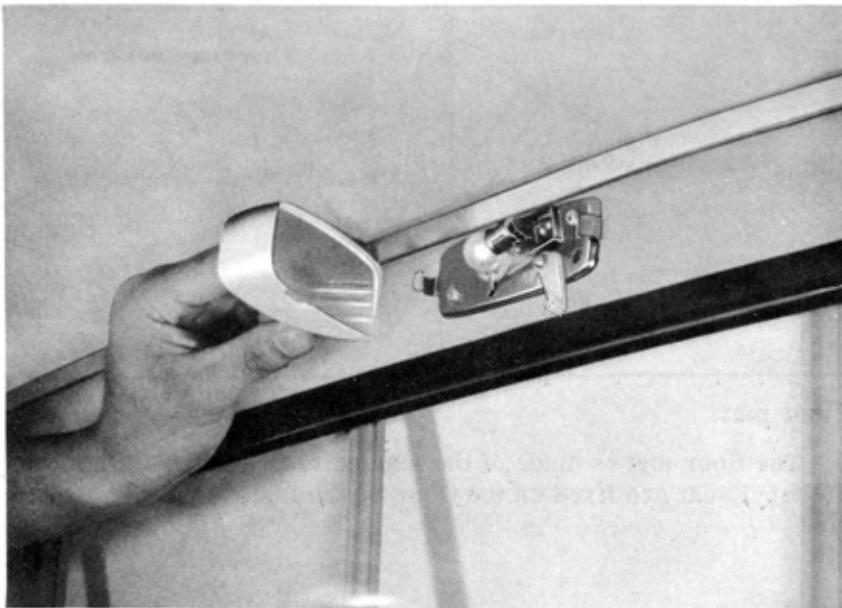
Bulb ..... 12V - 10W



d) Interior lamp

The interior lamp is located at the back panel center above the back window.

Bulb ..... 12V - 6W



### III-4. Trimming

a) Dash side trim

Jute of 4 mm (0.1575 in.) thickness is adhered and vinyl is fastened.

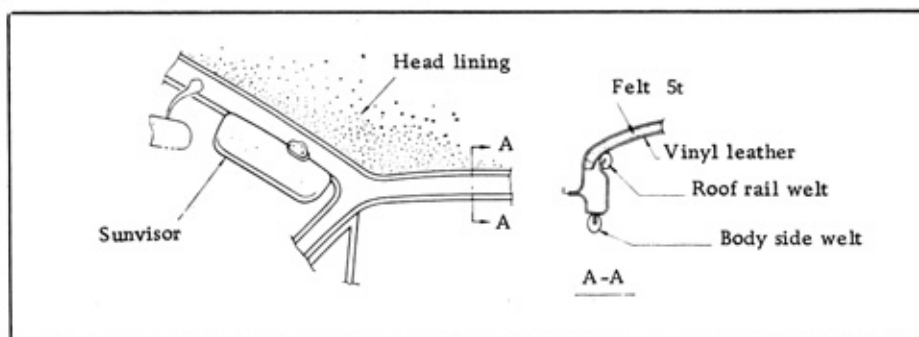
b) Dash insulator

Dash trim is provided with 2 mm (0.0787 in.) thickness proof board and 19 mm (0.748 in.) thickness glass wool.

c) Glove box

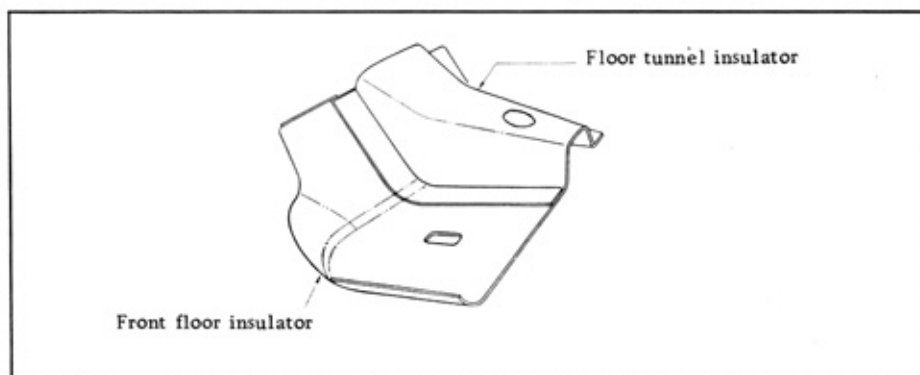
The glove box is common with VB10 series and fixed by screws.

d) Head lining, Roof welt and Body side welt



e) Floor insulator

Fusible asphalt insulator is covered over the cab floor to insulate the vibration.



f) Floor mat

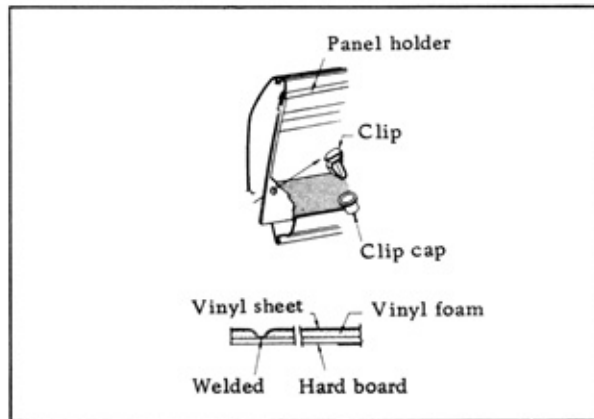
The floor mat is made of the foamed vinyl leather (3 mm thickness) and the vinyl seat are fixed on the floor by the fasteners.



g) Kicking plate

To protect the door sills, the kicking plates of aluminum made (0.8 mm thickness) are provided at the both door sills.

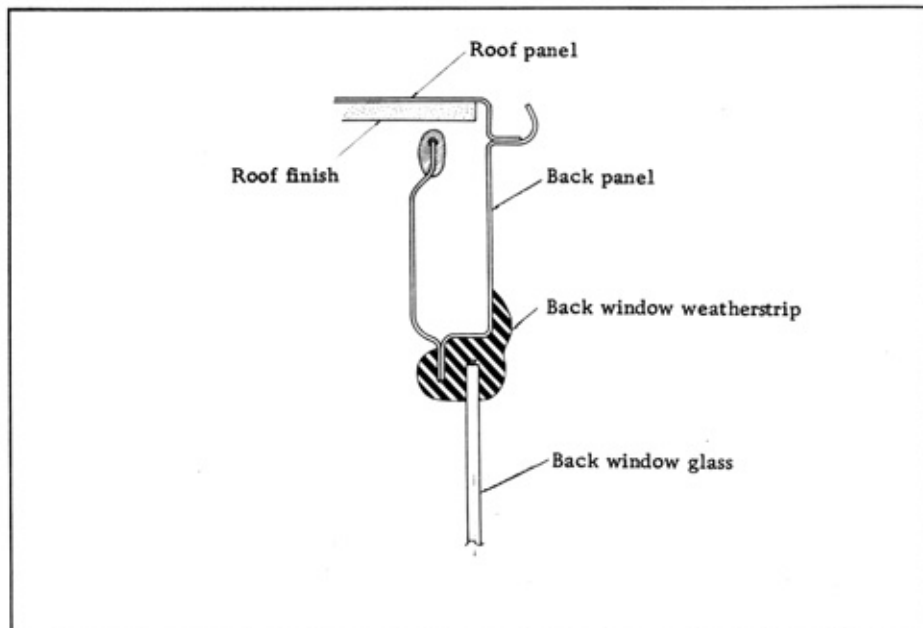
h) Door finish



i) Sunvisor

The sunvisor is common with that of VB10 series.

j) Back window glass



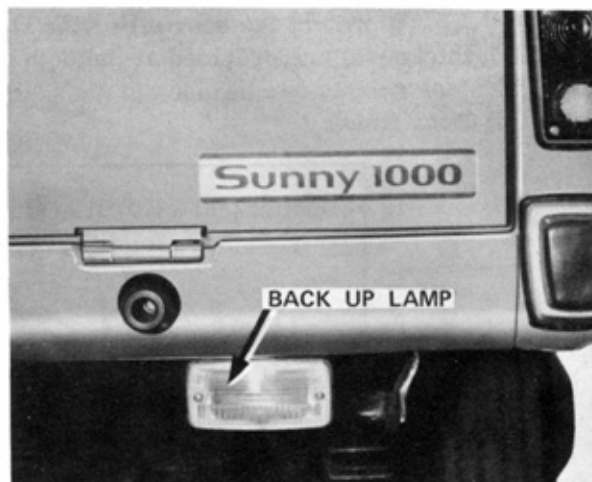
## DATSUN 1000

---

### III-5. Optional equipments

a) Back-up lamp

Bulb . . . . . 12V - 25W



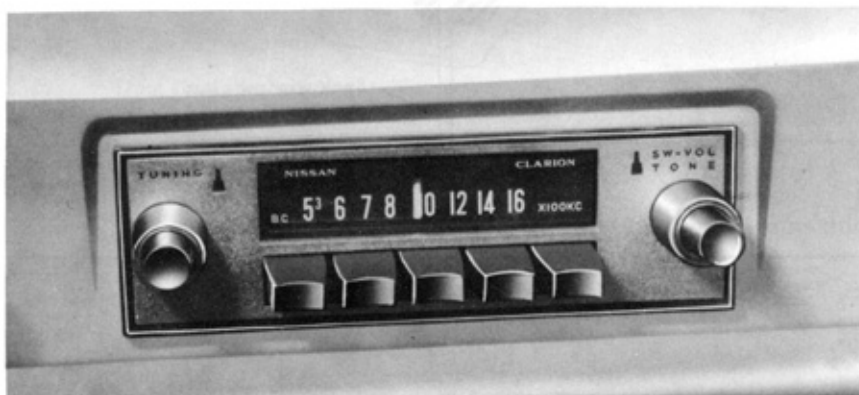
b) Fog lamp

Fog lamp is common with that of VB10 series and can be easily equipped on the front bumper.

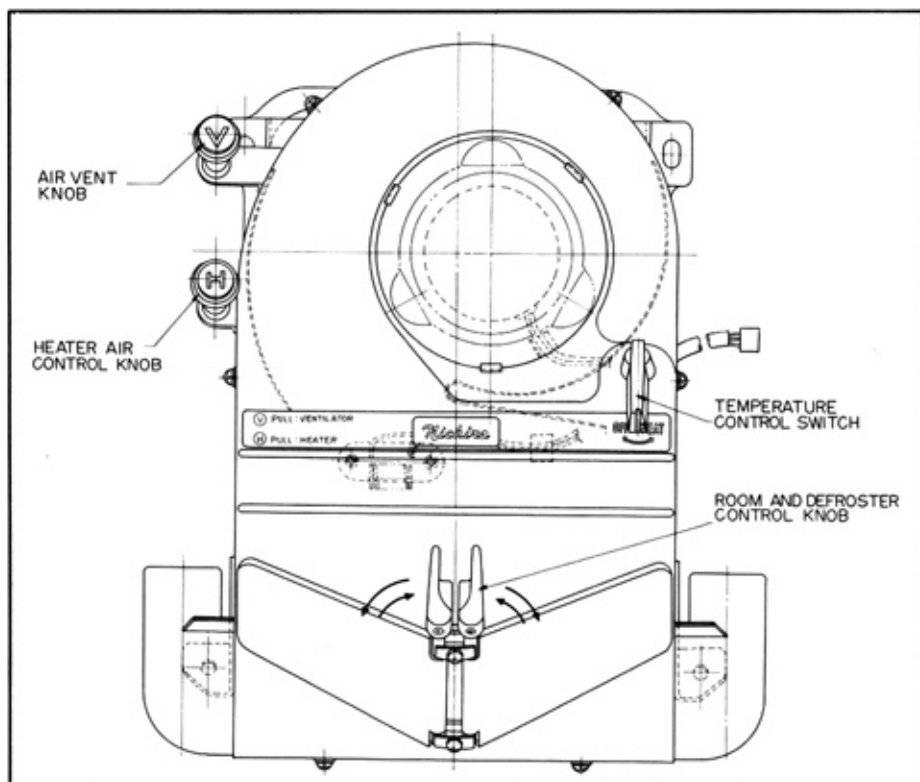
c) Cigarette lighter



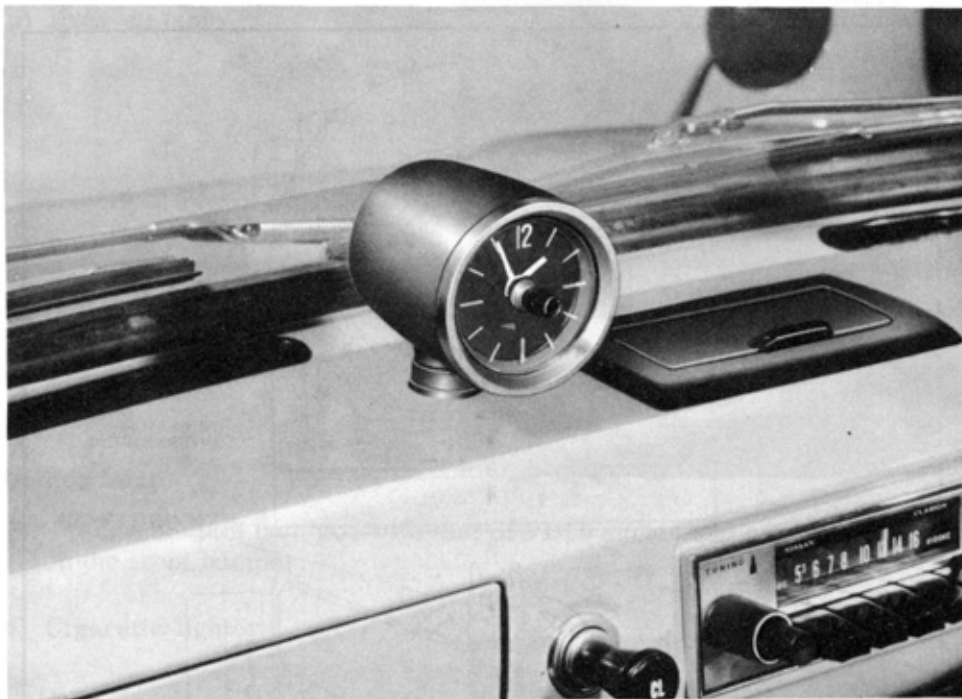
d) Radio



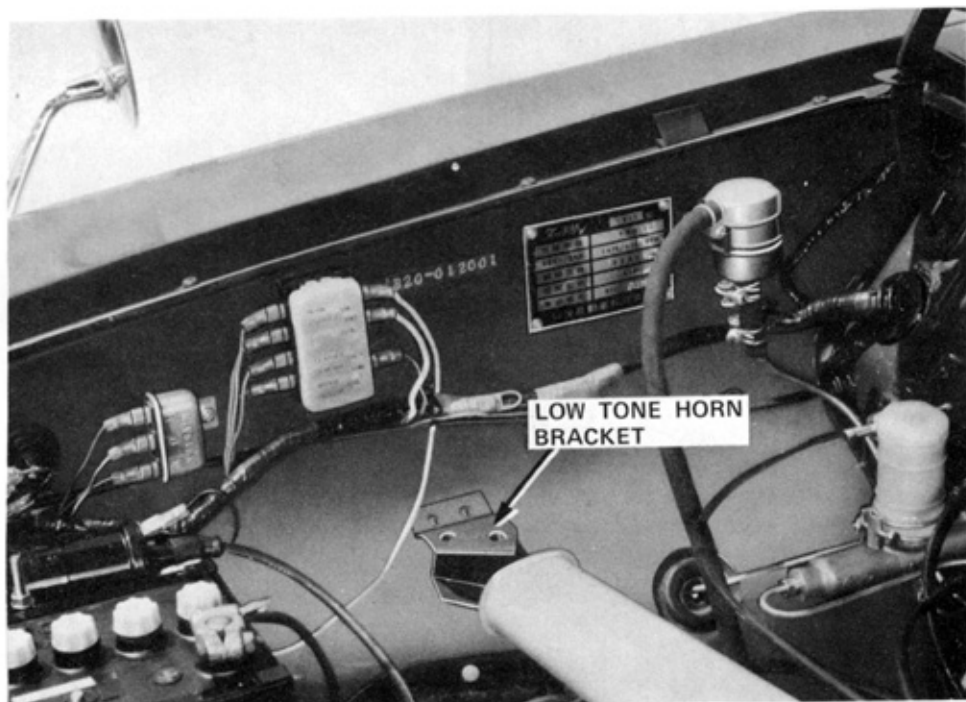
e) Heater



f) Clock

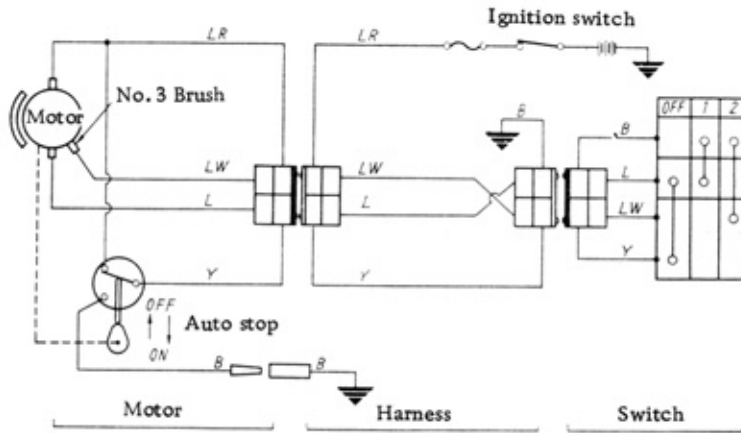


g) Low tone horn

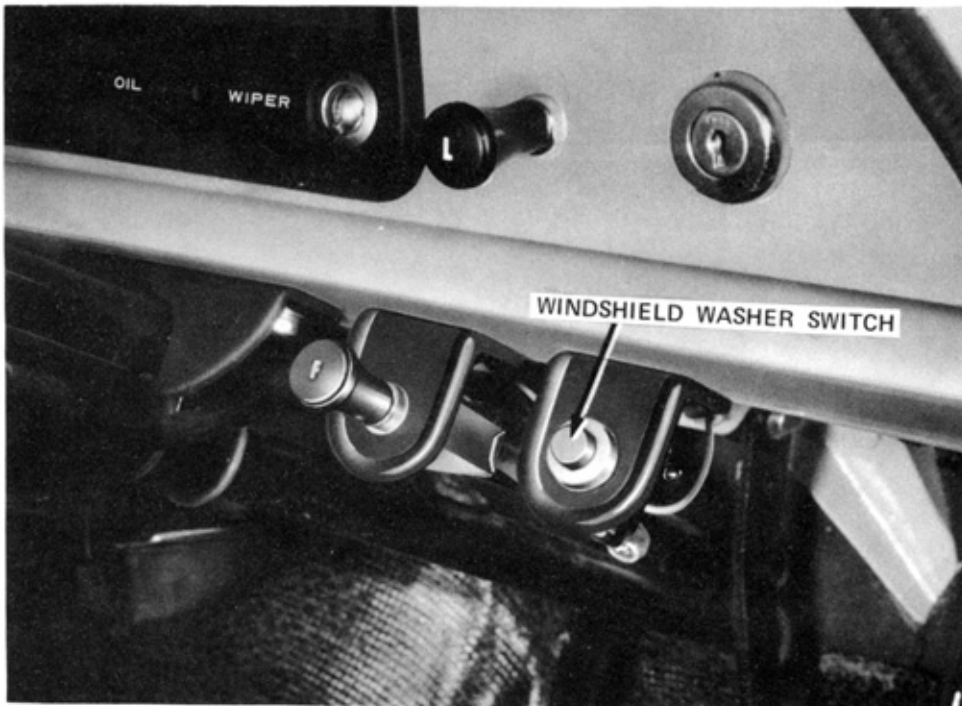


h) Two speed wiper motor

WIRING DIAGRAM OF 2 SPEED WIPER MOTOR



i) Windshield washer

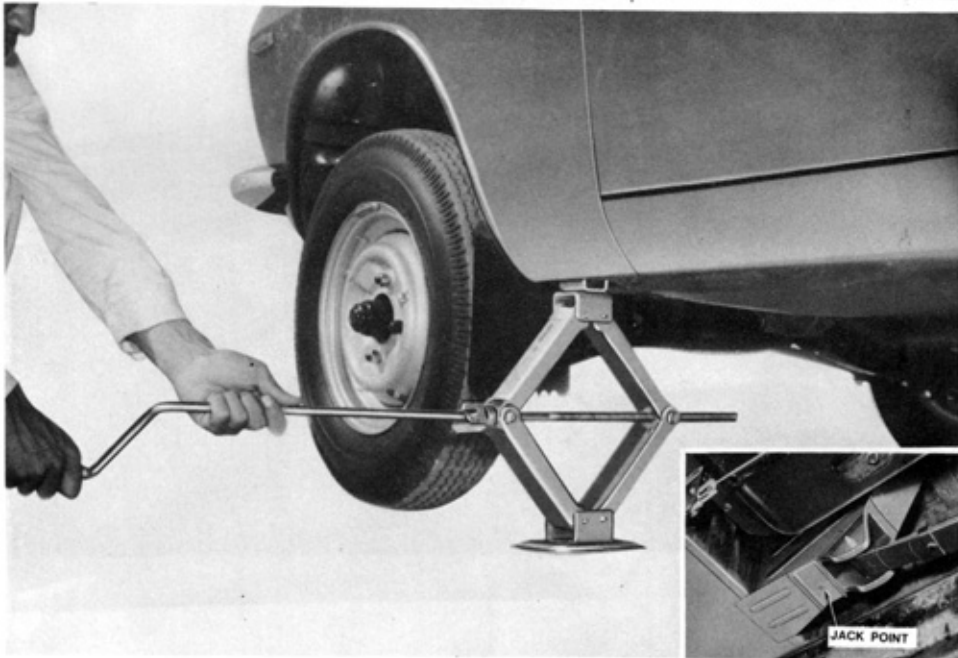


III-6. Tool and spare tire

a) Jack (capacity 700 kg) and tool

The pantograph type jack is used. Jack stroke is 110 to 410 mm (4.33 to 16.14 in.).

Jack points      Front: Body side sill  
Rear : Rear spring front bracket



b) Spare tire

The spare tire is installed under the rear body floor.

